



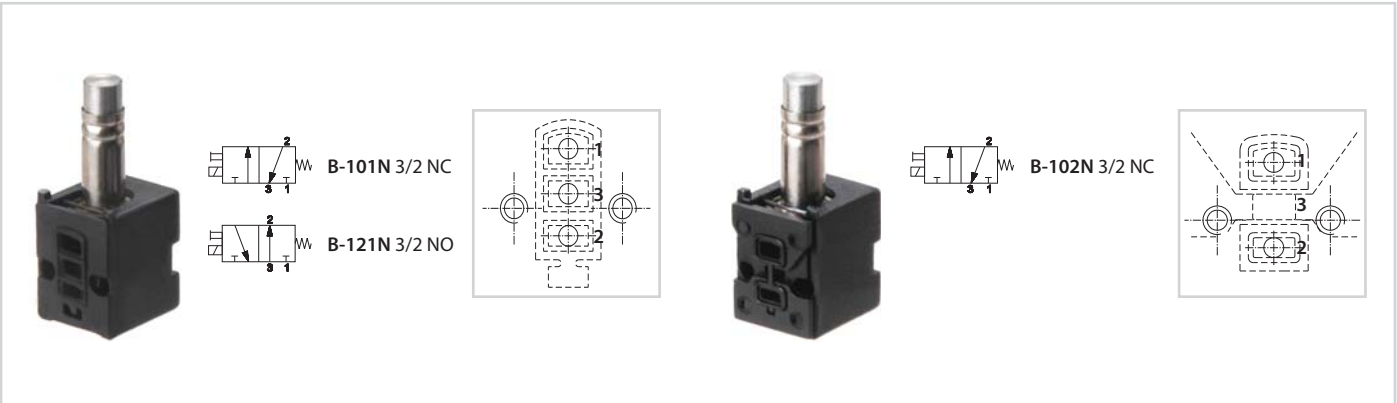
CHARACTERISTICS

Ambient temperature	-5 ÷ +50 °C	
Fluid	10 µm filtered air, with or without lubrication	
Commutation system	poppet	
Max pressure	8 bar	
Fixing	2 screws M1,6	
Connections	on sub-base	
Nominal bore (mm)	0,5	0,6
Nominal flow rate (NI/min)	9	12
Max frequency	2300 ÷ 3000 cycles/min	
Valve body	technopolymer (aluminium external cover)	
Seals	NBR	
Power consumption	1,2 W (1,35 W with LED) - 0,5 W (speed-up 1,2 W)	
Electrical connection	Molex bipolar connector or loose cables	
Voltage	12 V DC - 24 V DC	
Manual override	recessed button - 1 position	



Valves with conveyed exhaust

Valves with atmosphere exhaust



Revolving coil 180°x180°

Coils

<p>DE-352 24 V DC 1,2 W DE-452 24 V DC 1,35 W DE-355 24 V DC 0,5 W NEW</p> <p>Coil with 90° upward connector 12 V DC upon request</p>	<p>DE-552 24 V DC 1,2 W DE-652 24 V DC 1,35 W DE-555 24 V DC 0,5 W NEW</p> <p>Coil with integrated in-line connector 12 V DC upon request</p>	<p>DE-052L030 24 V DC 1,2 W</p> <p>Coil with loose cables 12 V DC upon request</p>	<p>DE-642I 12 V DC 1,35 W DE-652I 24 V DC 1,35 W DE-655I 24 V DC 0,5 W NEW</p> <p>Coil with in-line connector with protection for a complete tightness</p>
---	---	---	--

D-500

D-530-30/50/200

DE-535-30/50/200

<p>Miniature connector without wires</p>	<p>Miniature connector with loose cables D-530-30 = wire length 300 mm D-530-50 = wire length 500 mm D-530-200 = wire length 2000 mm</p>	<p>Miniature connector with cables D-535-30 = wire length 300 mm D-535-50 = wire length 500 mm D-535-200 = wire length 2000 mm</p>
--	---	---

NEW
0,5 W
Low power consumption

Nanovalves are supplied without coil and connector